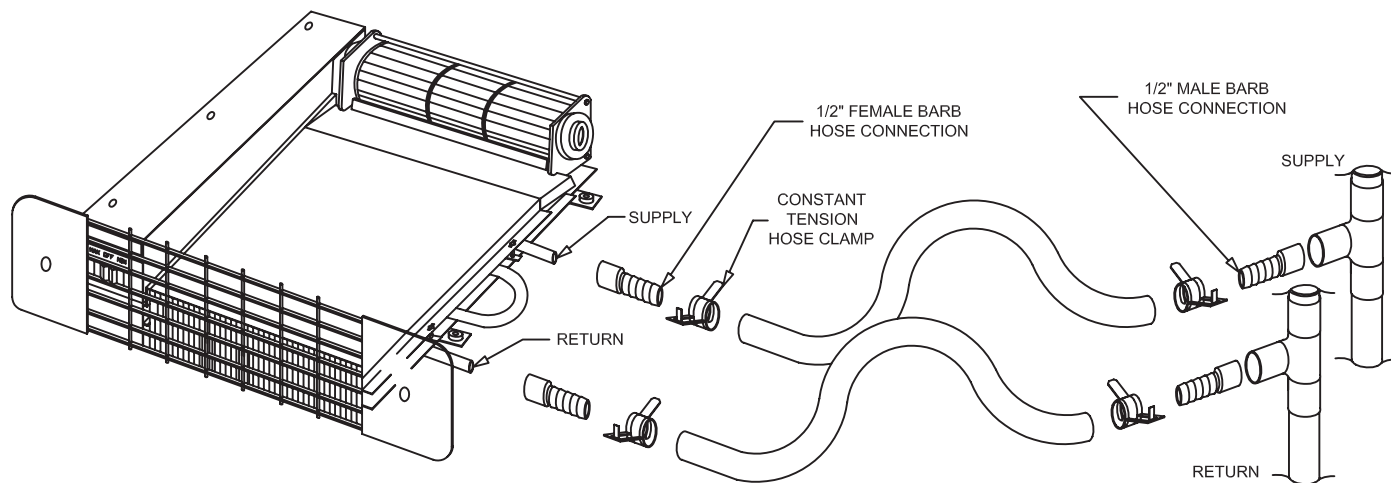


# TWIN-FLO III™

## HOSE KIT INSTALLATION INSTRUCTIONS



The Twin-FloIII "Easy Connect" flexible hose connection kit allows for easy installation of any 'K' Beacon/Morris Kick Space heater in new or retro-fit construction situations.

This kit includes the following items:

- (2) 1/2" (nominal) female bronze barbed hose connections
- (2) 1/2" (nominal) male bronze barbed hose connections
- (4) Constant tension hose clamps
- (1) 10 ft length of 1/2" flexible hose

Assembly Instructions:

Position the Kick Space heater in its approximate installed location.

Locate the 1/2" supply and return lines for the Kick Space heater.

Measure the distance from these lines to the supply and return coil connections on the Kick Space heater. (If the distance is greater than 10 ft. it will be necessary to extend the copper lines toward the unit or you may want to use two Easy Connect kits.)

Cut the flexible tube into two lengths as required.

Solder the female 1/2" nom. brass barbed hose connections to the two ends of the heater coil tubes (the supply and return tubes). Solder the male 1/2" nom. brass barbed hose connections to the source of the supply and return water.

With a pair of pliers, compress the hose clamps and slip on each end of the flexible hose about 4 inches.

Apply an amount of bio-degradable, non-toxic lubricant (like dish detergent) to the brass barb connections and press the flexible tubing onto the fittings all the way to the tapered shoulder.

Compress the hose clamps and slide them to within 1/4 of an inch of the flexible tube.

Once connection is made, secure the Kick Space heater as instructed in its installation manual and start up heating system or pressurize the system to check for any leaks.

It is recommended that 95/5 solder be used when installed with potable water heating systems.



260 North Elm St; Westfield, Ma 01085

Division of MESTEK INC.

CAT-58720C